

Temperature and humidity module

Model RHT-2 A/V

Perfect environmental resistance

High-precision small



Model list

>Humidity precision $\pm 3\%$

Output signal

Current output (4 mA to 20 mA)	RHT-20A
Voltage output (1 V to 5 V)	RHT-20V

>Humidity precision $\pm 2\%$

Output signal

Current output (4 mA to 20 mA)	RHT-21A
Voltage output (1 V to 5 V)	RHT-21V

Application

- Temperature and humidity control of food factory
- Temperature and humidity control of the greenhouse and fermentation room
- Temperature and humidity control of air conditioning equipment
- Temperature and humidity control of chemical factory
- Temperature and humidity control of the clean room
- Temperature and humidity control of museum, sample chamber, and warehouse
- Temperature and humidity control instruments
- Temperature and humidity control of plant factory

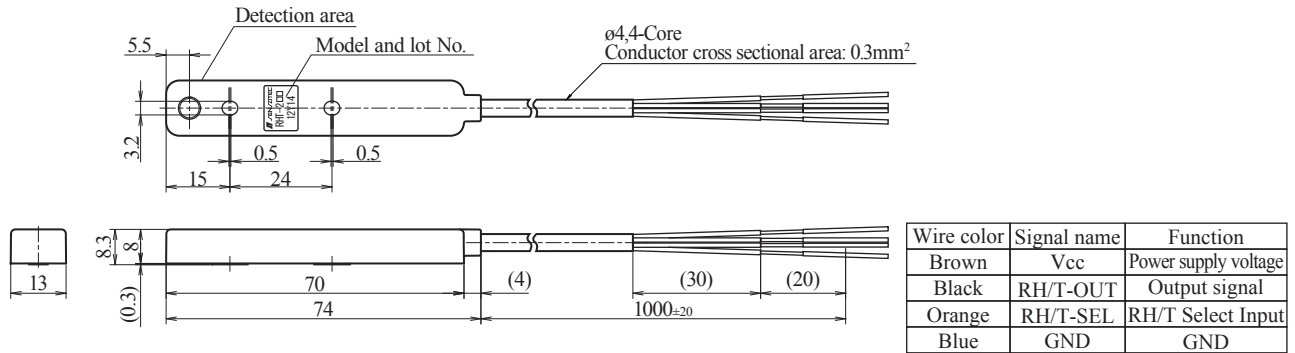
Characteristics

- The sensor is a temperature and humidity sensor that small and with a high degree of accuracy.
- The two versions of DC 4 to 20 mA output and DC 1 to 5 V output to be used in instrumentation signal is served.
- Even in an environment with water droplets or dust you can use with confidence by strong protective structure.
- Simple installation with M3 screw.

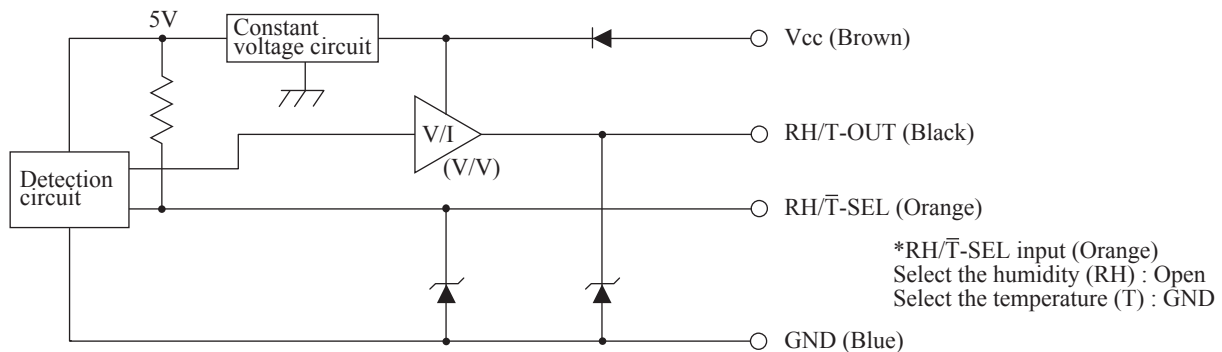
Rating and performance

Model name	RHT-20A	RHT-20V	RHT-21A	RHT-21V
Detection sensor	Humidity / Temperature			
Measurement humidity range	0 to 100% RH			
Standard humidity precision	In $\pm 3\%$ RH 25 °C (RH 20 to 80%)		In $\pm 2\%$ RH 25 °C (RH 20 to 80%)	
Humidity response speed	30 sec			
Measurement temperature range	-30 °C to 80 °C			
Standard temperature precision	± 0.5 °C (at 25 °C)			
Power supply voltage	12 V to 24 V DC (Operating voltage range: 10 V to 30 V DC)			
Electricity consumption	400 mW or less	-	400 mW or less	-
Power consumption	-	DC 5 mA or less	-	DC 5 mA or less
Output signal	DC 4 mA to 20 mA	DC 1 V to 5 V	DC 4 mA to 20 mA	DC 1 V to 5 V
Load resistance	300 or less	100 k or more	300 or less	100 k or more
Storage temperature	-30 °C to 80 °C			
Storage humidity	95% RH or less			
Withstand voltage	1 min at AC 500 V 50/60 Hz (between the live part and case)			
Insulation resistance	50 M or more measured with an ohmmeter at DC 500 V (between the live part and case)			
Vibration resistance	Durability: 2 hours in each X, Y, Z direction at 10 to 55 Hz and with peak-to-peak amplitude of 1.5 mm (at power off)			
Shock resistance	Durability: 3 times at 500 m/s ² (approx. 50 G) in each X, Y, Z direction (at power off)			
Protection rating	IP64			
Case material	PC			
Cable	$\varnothing 4$, 4-core round cord of 0.3 mm ² and 1 m in length (oil and heat resistant)			
Weight	Approx. 33 g			

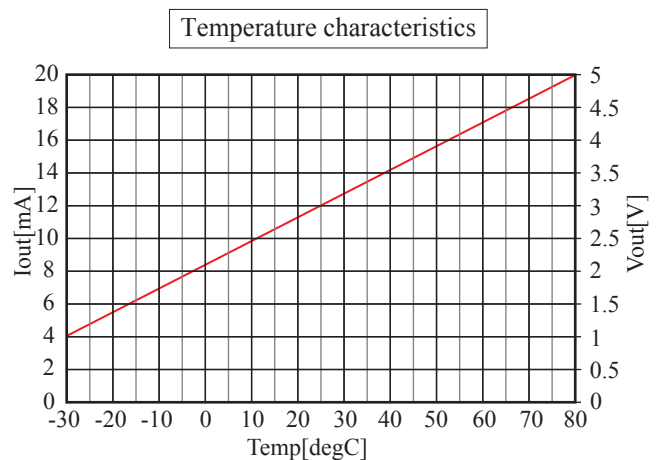
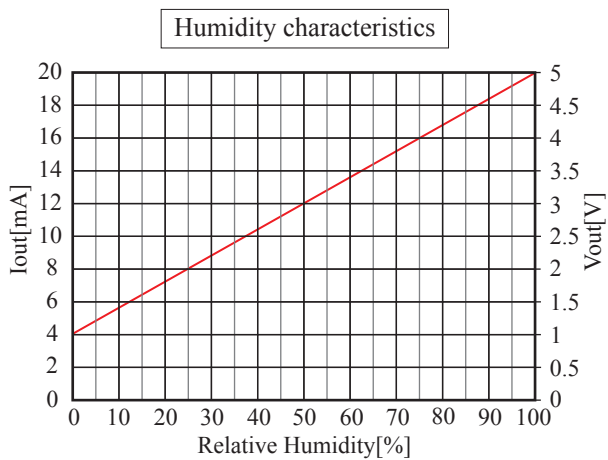
External dimensions diagram



Output circuit



Characteristics graph (typical example)



Usage precautions

- In order to maintain the accuracy of the sensor also, it is recommended that it is stored in the following conditions when not using it.

Temperature range : 10 to 50 °C

Humidity range : 20 to 60% RH

Do not use antistatic polyethylene bag (light blue, pink or rose color).

- The value of the relative humidity depends strongly on temperature. If you want to measure the temperature and humidity of the ambient, please ensure that there is no heat-generating components to the mounting surface.
- Please use the M3 Nabebisu the mounting.
Tightening torque of the case should be with 0.32 Nm or less.
- Please use the sensor cable without bending in the vicinity of the sensor body.
- See Temperature and humidity sensor general usage precautions for other precautions.

*For a detailed specification of the other, please refer to specifications.

TASHIKA CO., LTD.

1-12, Kaiyo-cho, Ashiya, 659-0035, JAPAN

Tel: + 81-797-23-9035 Fax: + 81-797-23-2105

e-mail: sales@tashika.co.jp URL: www.tashika.co.jp