

TGS 5141 - for the detection of Carbon Monoxide

Features:

- * Ultra compact
- * Battery operable
- * High repeatability/selectivity to CO
- * Linear relationship between CO gas concentration and sensor output
- * Simple calibration
- * Long life
- * UL recognized component
- * Meets UL2034, EN50291, and EN54-31 requirements

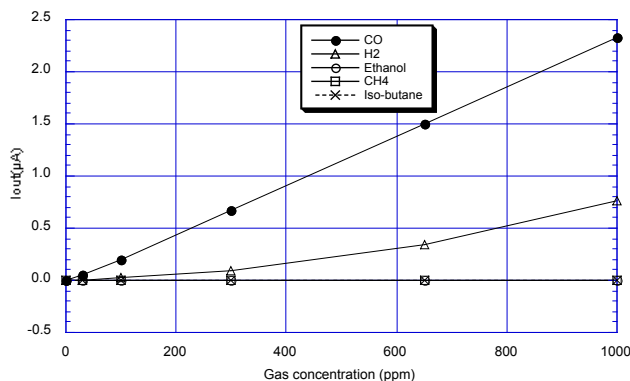
Applications:

- * Residential and commercial CO detectors
- * Fire detection

Figaro's **TGS5141** is a battery operable electrochemical sensor which uses a unique electrolyte that eliminates the need for a water reservoir. By eliminating the water reservoir used in TGS5042, the comparative size of TGS5141 is reduced to just 10% of TGS5042. With its ultra compact size, this sensor is the ideal choice for size oriented applications such as portable CO detectors, small residential CO detectors, and multi-sensor fire detectors. OEM customers will find individual sensors data printed on each sensor in bar code form, enabling users to skip the costly gas calibration process and allowing for individual sensor tracking.



The figure below represents typical sensitivity characteristics, all data having been gathered at standard test conditions (see reverse side of this sheet). The Y-axis shows the output current of the sensor ($I_{out}/\mu A$) in each gas. Output current is linear to CO concentration, with a deviation of less than $\pm 5\%$ in the range of 0~500ppm.

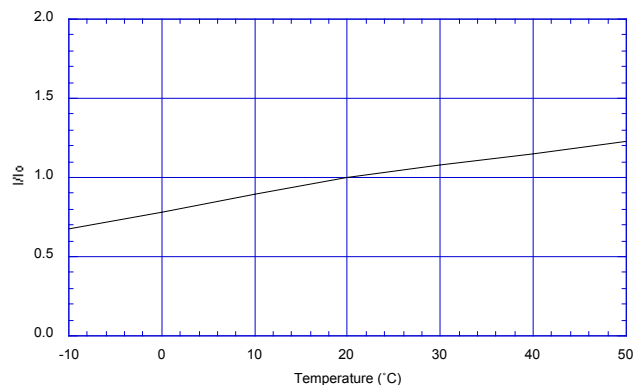


The figure below represents typical temperature dependency characteristics. The Y-axis shows the sensor output ratio (I/I_0) as defined below. The linear relationship between I/I_0 and CO concentration is constant regardless of the CO concentration range.

I = Sensor output current in 400ppm of CO at various temperatures

I_0 = Sensor output current in 400ppm at 20°C/50%RH

Temperature Dependency:



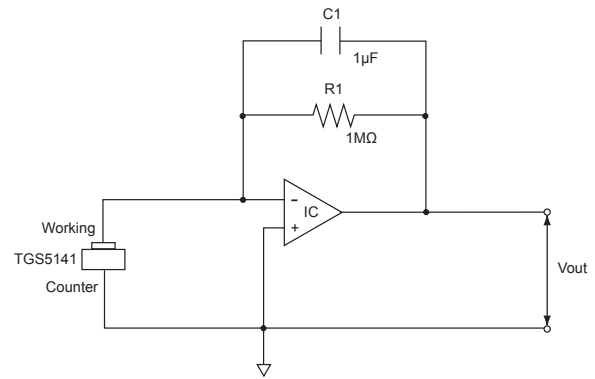
Basic Measuring Circuit:

The diagram at the right shows the basic measuring circuit of TGS5141. The sensor generates a minute electric current which is converted into sensor output voltage (V_{out}) by an op-amp/resistor (R_1) combination.

Figaro recommends the following electrical parts:

- R1 : $1M\Omega$
- C1 : $1\mu F$
- IC : AD708

NOTE: When voltage is applied to the sensor output terminal, the sensor may be damaged. Voltage applied to the sensor should be strictly limited to less than $\pm 10mV$. An additional resistor or FET is required to prevent polarization of the sensor when V_c is off.



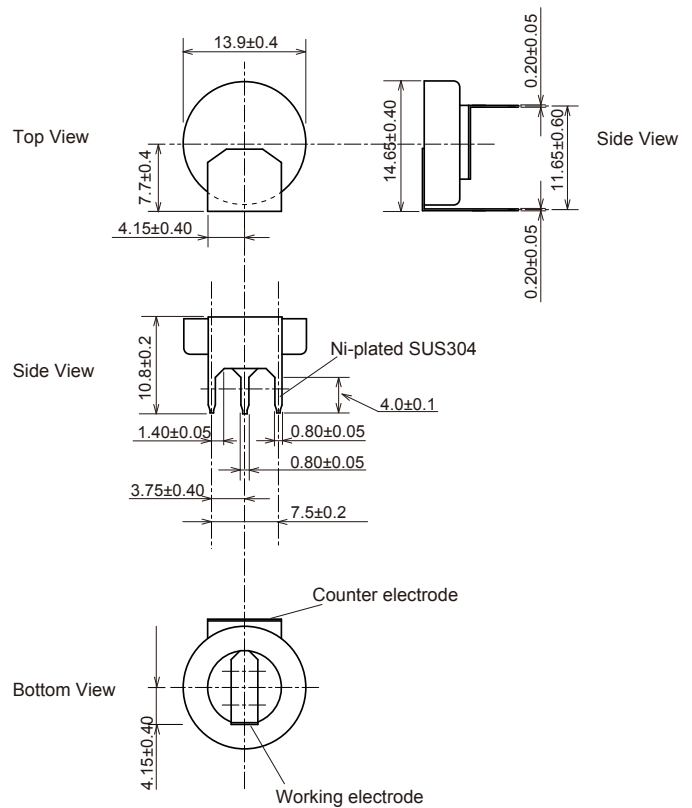
Basic measuring circuit of TGS5141

Specifications:

Item	Specification
Model number	TGS5141
Target gases	Carbon monoxide
Typical detection range	0 ~ 5,000ppm
Output current in CO	1.2~3.2nA/ppm
Baseline offset(*1)	< ± 10 ppm equivalent
Operating temperature	-10°C ~ +50°C (continuous) -20°C ~ +60°C (intermittent)
Operating humidity	10 ~ 95%RH (no condensation)
Response time (T90)	within 60 seconds
Storage conditions	-10°C ~ +50°C (continuous) -20°C ~ +60°C (intermittent)
Weight	approx. 2.5g
Standard test conditions	20 \pm 2°C, 40 \pm 10%RH

(*1) Represents sensor output in air under operating conditions

Structure and Dimensions:



Unit : mm

Tsdpl
TOSHNIWAL SENSING DEVICES PVT. LTD.
 E-19/20, INDUSTRIAL ESTATE MAKHUPURA, AJMER-305002, INDIA
 TEL: +91-145-2695482, FAX: +91-145-2695006
 CUSTOMER CARE: +91-9571897879
 E-MAIL: soles@tsdpl.com, WEBSITE: www.tsdpl.com